

PROCESSOR
252 SHEET 4
DSP AUDIO

RECEIVER
246 SHEET 3

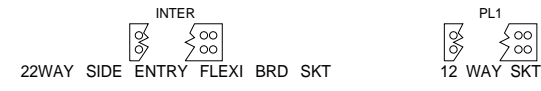
SYNTH-VCO
2922 SHEET 5

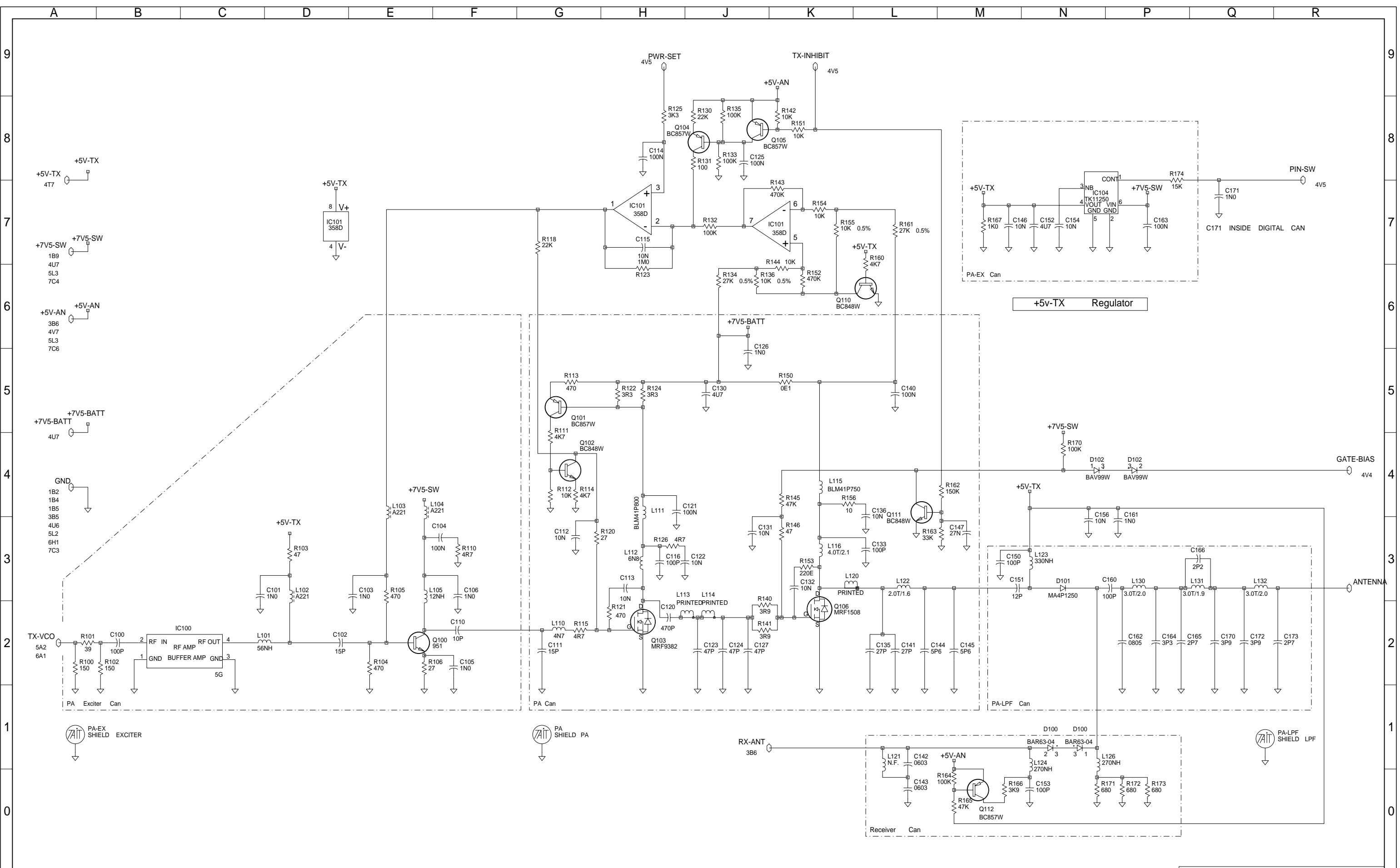
POWER-AMP
93 SHEET 2

VCO sheet 6

© TAIT ELECTRONICS	
TAIT ORCA : 450-530 MHz SYSTEM DIAGRAM	
IPN: 220-01624-02	ISSUE: A
DESIGNER: BRD/CJK/TS	FILE NAME: 162402a
DATE: 16-Dec-99	NO. SHEETS: 7

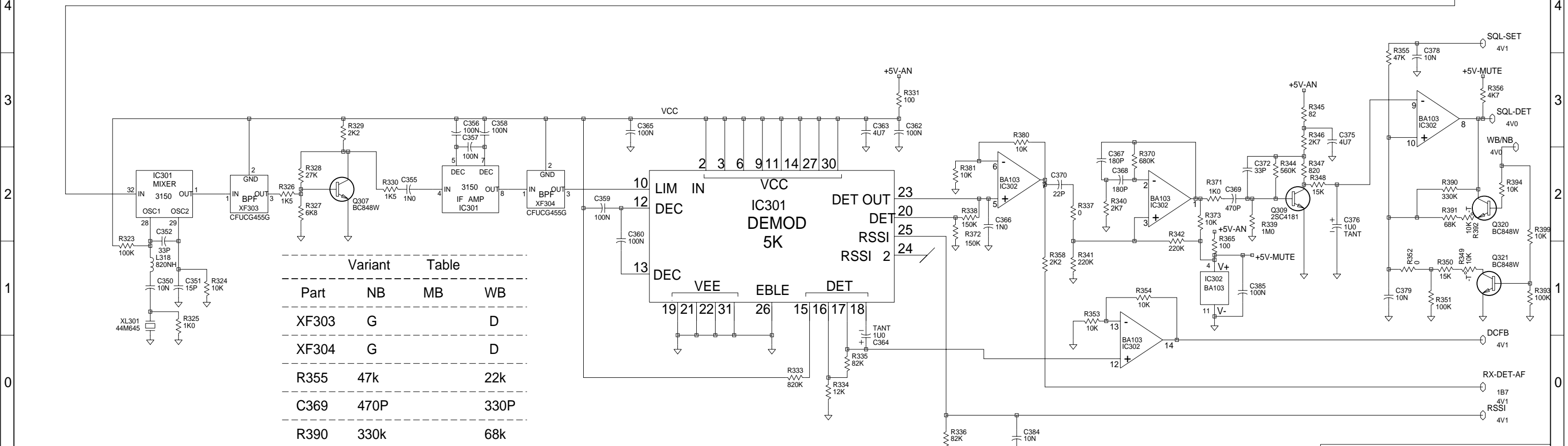
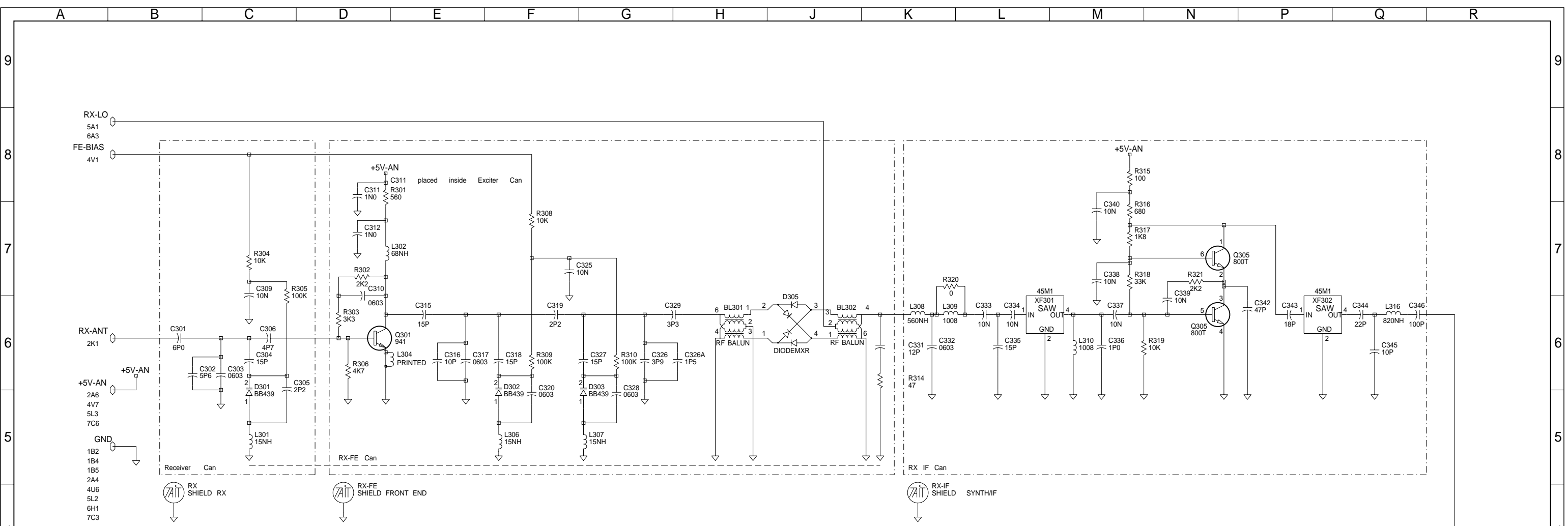
02A	CCO NO.1624-004	AMP CHANGES	TS	16-12-99
01A	INITIAL DES CCO	1624/001 002 003	BRD	JJ
REV/ISS	AMENDMENTS	DRAWN	CHKD	D.O.
		APVD	GR	DATE

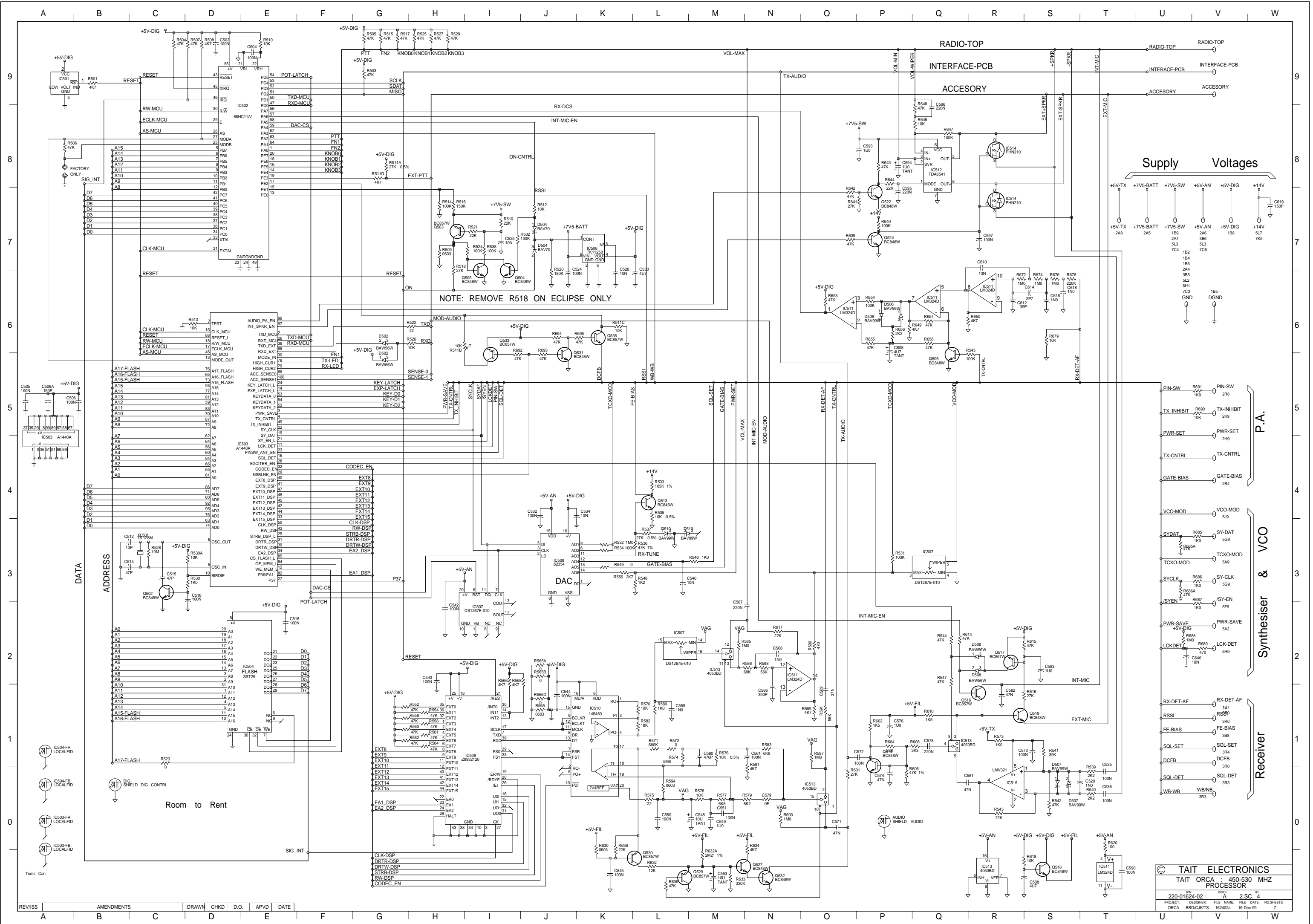




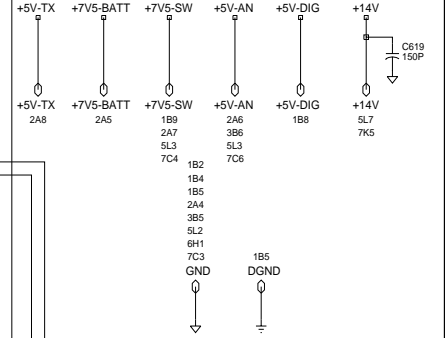
02A	CCO NO.1624-004	AMP CHANGES	TS		16-12-99
REV/ISS	AMENDMENTS		DRAWN	CHKD	D.O.
A	B	C	D	E	F

© TAIT ELECTRONICS
 TAIT ORCA : 450-530 MHZ POWER AMPLIFIER
 IPN: 220-01624-02 ISSUE: A ID: 2.S.C. 2
 PROJECT: ORCA DESIGNER: BRD/CJK/TS FILE NAME: 162402a FILE DATE: 16-Dec-99 NO.SHEETS: 7

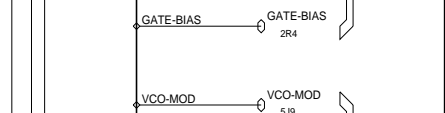




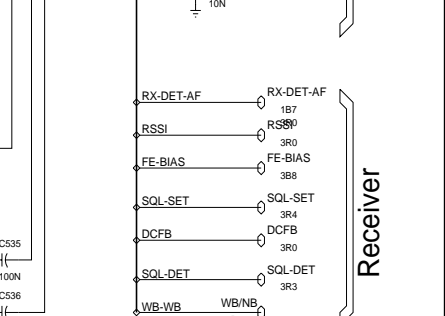
Supply Voltages



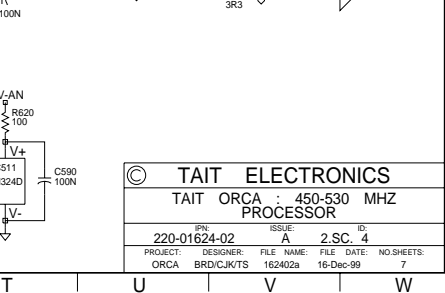
P.A.



Synthesiser & VCO

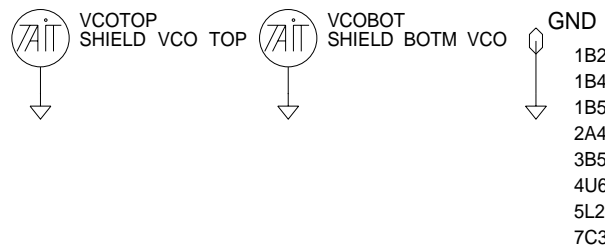
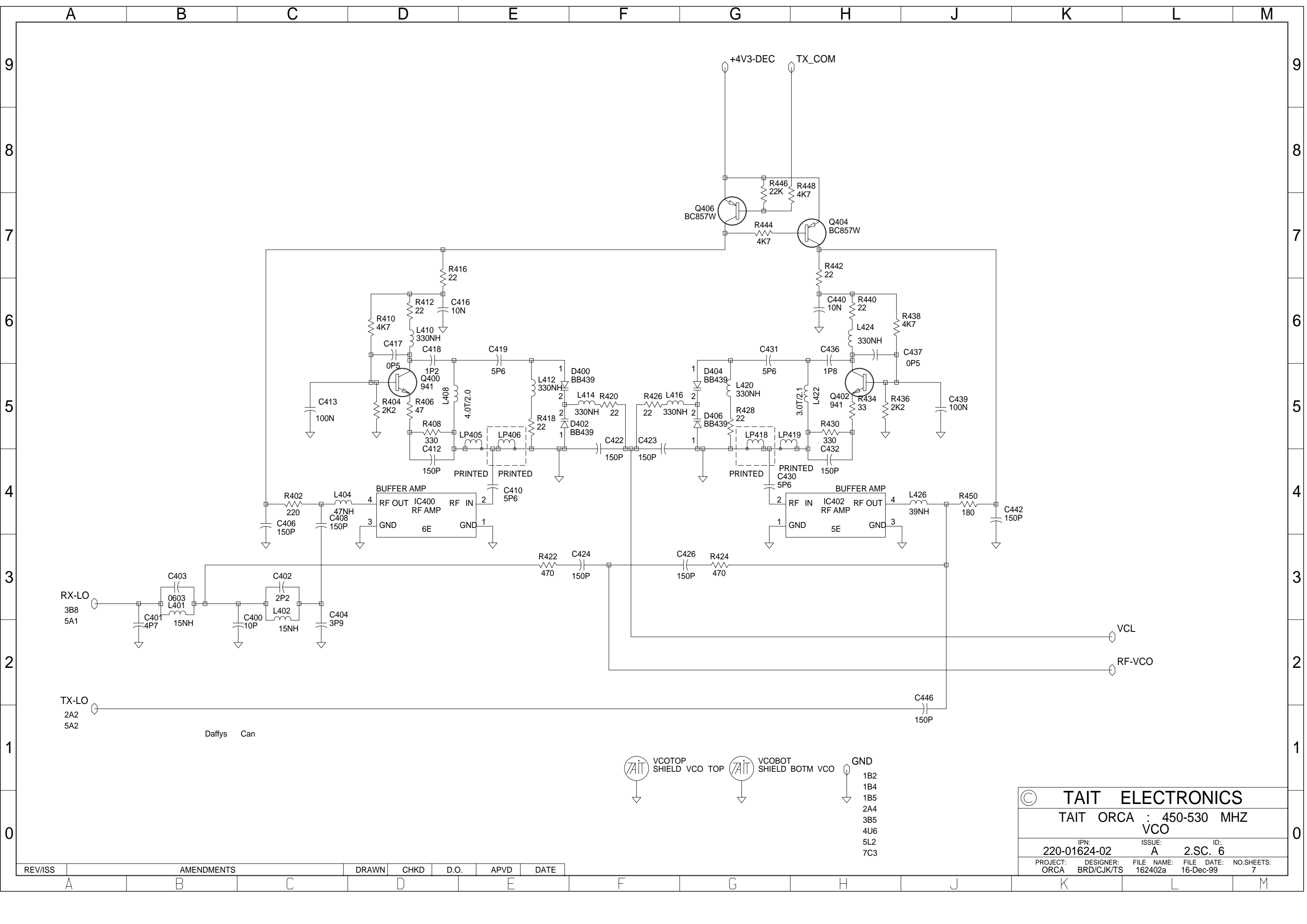


Receiver



© TAIT ELECTRONICS
 TAIT ORCA : 450-530 MHZ
 PROCESSOR

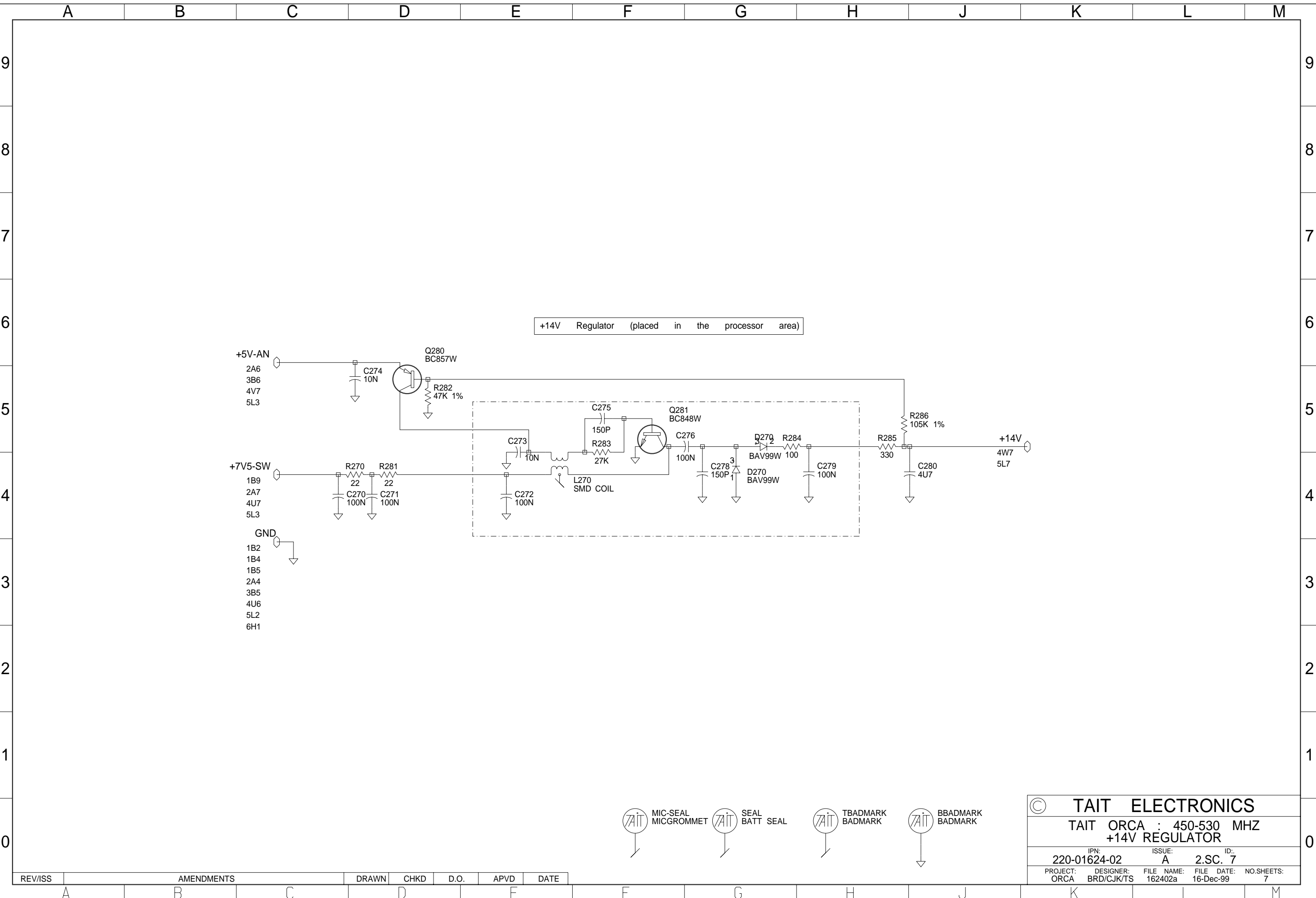
REV/ISS	AMENDMENTS	DRAWN	CHKD	D.O.	APVD	DATE
A	B	C	D	E	F	G



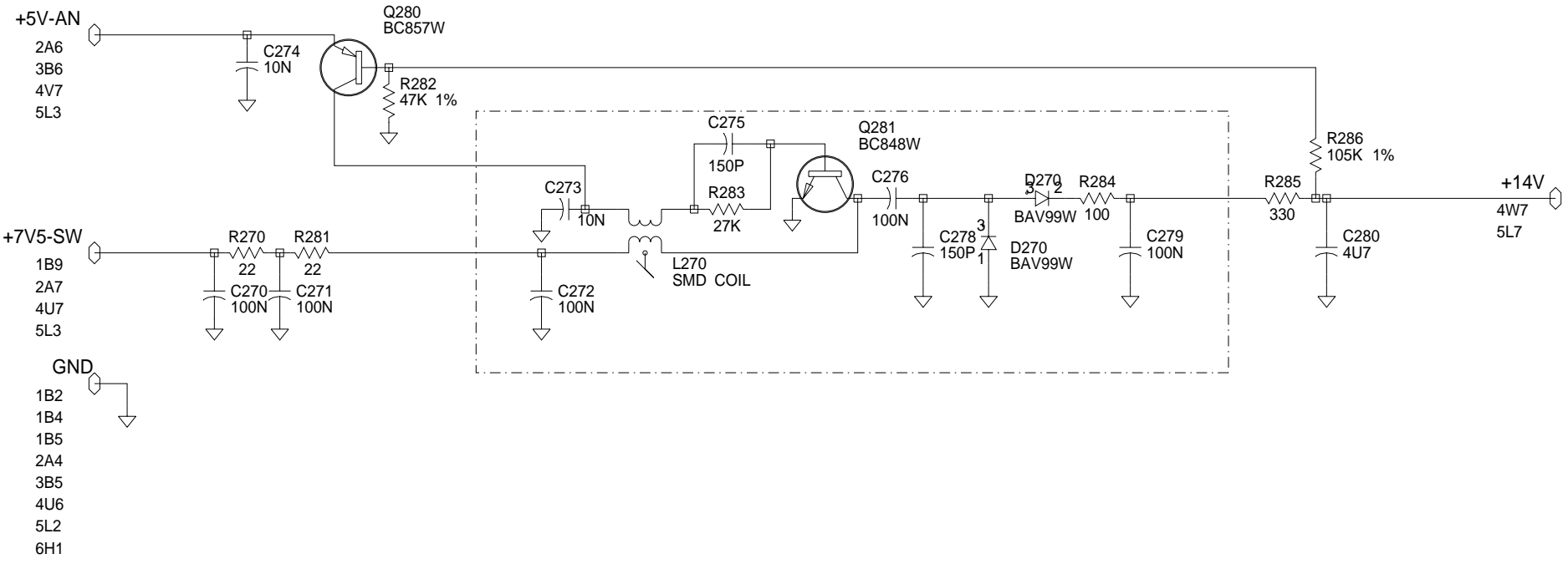
© TAIT ELECTRONICS
 TAIT ORCA : 450-530 MHZ
 VCO

IPN:	ISSUE:	ID:
220-01624-02	A	2.SC. 6
PROJECT:	DESIGNER:	FILE NAME:
ORCA	BRD/CJK/TS	162402a
FILE DATE:	NO.SHEETS:	
16-Dec-99	7	

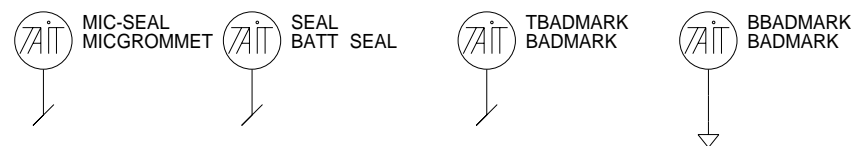
REV/ISS	AMENDMENTS	DRAWN	CHKD	D.O.	APVD	DATE



+14V Regulator (placed in the processor area)

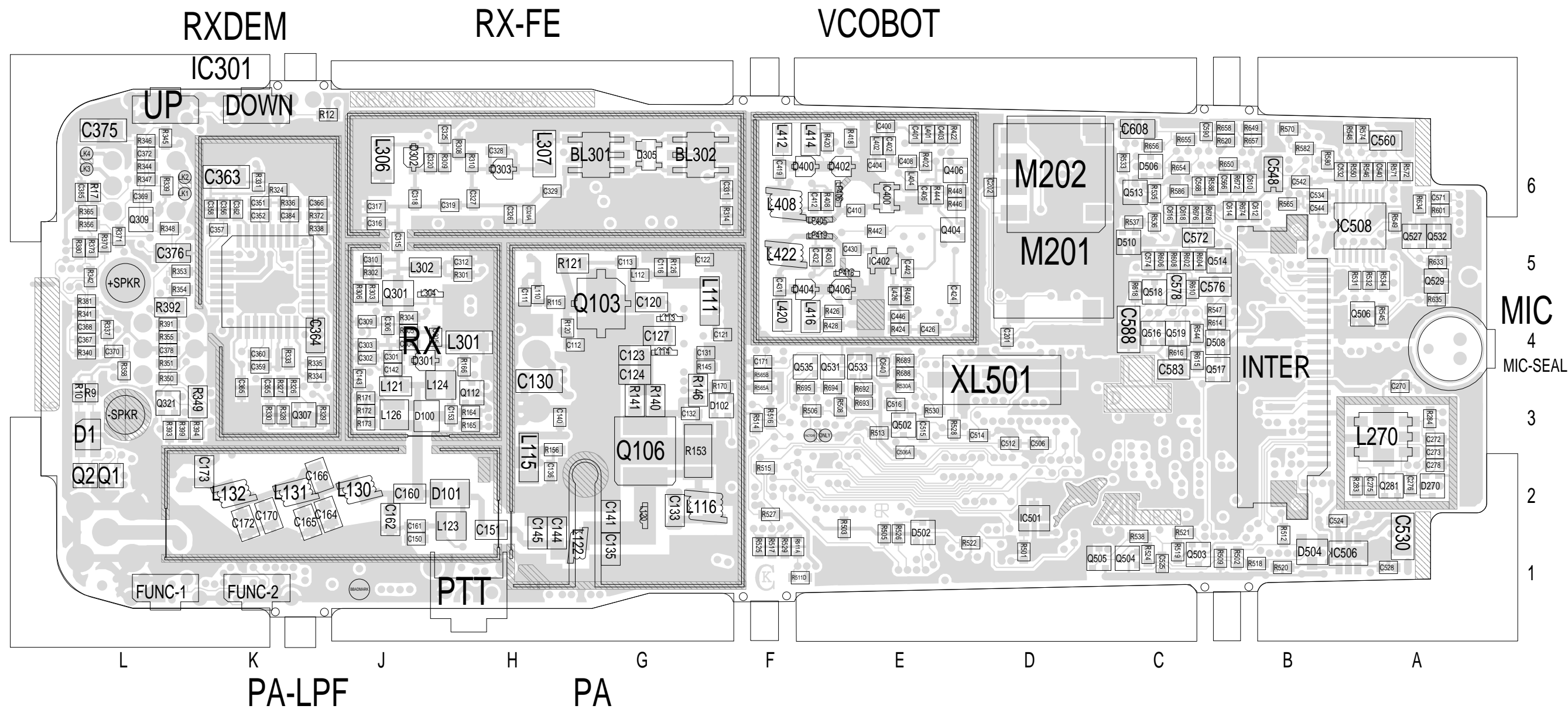


- GND
- 1B2
 - 1B4
 - 1B5
 - 2A4
 - 3B5
 - 4U6
 - 5L2
 - 6H1



© TAIT ELECTRONICS	
TAIT ORCA : 450-530 MHZ +14V REGULATOR	
IPN: 220-01624-02	ISSUE: A 2.SC. 7
PROJECT: ORCA	DESIGNER: BRD/CJK/TS
FILE NAME: 162402a	FILE DATE: 16-Dec-99
NO.SHEETS: 7	

REV/ISS	AMENDMENTS	DRAWN	CHKD	D.O.	APVD	DATE



TAIT ELECTRONICS IPN: 220-01624-02 ISS: A ID: 6.BA DATE: 16 Dec 1999
 ORCA UHF PCB LAYOUT - BOTTOM SIDE

Scale: 2.3:1 ; Rotation: 0 degrees